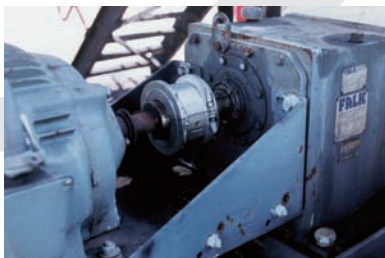
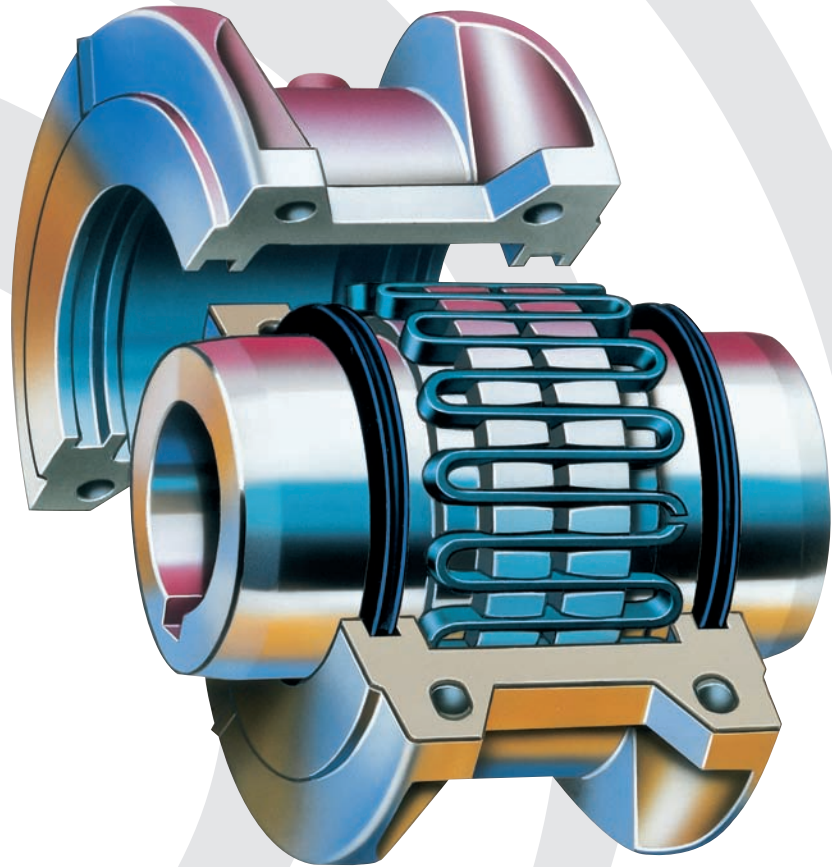
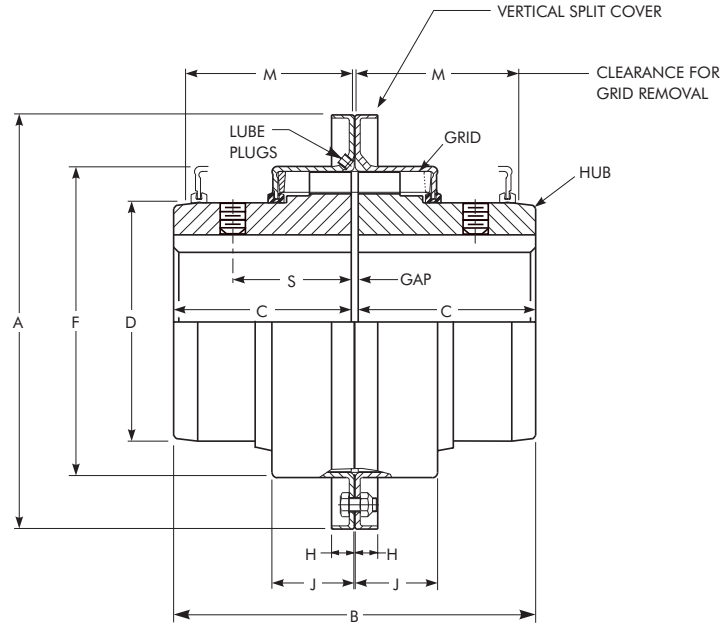


Falk™ Steelflex® Grid Couplings | Redefining Total Coupling Value
(English-Inch)



Type T20

Close Coupled/Dimensions — Inches



SIZE ★	Torque Rating (lb-in) †	Allow Speed rpm ‡	Max Bore ●	Min Bore ■	Cplg Wt Without Bore-lb	Lube Wt lb	DIMENSIONS — INCHES									
							A	B	C	D	F	H	J	M	S	Gap
1020T	460	6000	1.125	.500	4.3	.06	4.42	3.88	1.88	1.56	2.50	.38	.94	1.88	1.54	.125
1030T	1,320	6000	1.375	.500	5.7	.09	4.80	3.88	1.88	1.94	2.88	.38	.98	1.88	1.54	.125
1040T	2,200	6000	1.625	.500	7.4	.12	5.11	4.12	2.00	2.25	3.25	.38	1.02	2.00	1.58	.125
1050T	3,850	6000	1.875	.500	12	.15	5.86	4.88	2.38	2.62	3.88	.47	1.20	2.38	1.76	.125
1060T	6,050	6000	2.125	.750	15	.19	6.42	5.12	2.50	3.00	4.38	.50	1.25	2.50	2.06	.125
1070T	8,800	5500	2.500	.750	23	.25	6.86	6.12	3.00	3.44	4.88	.50	1.32	2.62	2.12	.125
1080T	18,150	4750	3.000	1.062	39	.38	7.92	7.12	3.50	4.12	5.88	.50	1.72	3.50	2.54	.125
1090T	33,000	4000	3.500	1.062	56	.56	9.17	7.88	3.88	4.88	6.62	.50	1.85	3.75	2.82	.125
1100T	55,550	3250	4.000	1.625	93	.94	10.55	9.69	4.75	5.59	7.75	.62	2.35	4.75188
1110T	82,500	3000	4.500	1.625	120	1.12	11.30	10.19	5.00	6.31	8.50	.63	2.47	4.88188
1120T	121,000	2700	5.000	2.375	180	1.62	12.61	12.00	5.88	7.06	9.62	.69	2.90	5.62250
1130T	176,000	2400	6.000	2.625	270	2.0	14.92	13.00	6.38	8.56	11.12	.81	2.95	5.75250
1140T	253,000	2200	7.250	2.625	397	2.5	16.42	14.75	7.25	10.00	12.62	.81	3.08	6.12250
1150T	352,000	2000	8.000	4.250	507	4.3	18.75	14.65	7.20	10.60	14.72	.76 ♦	4.21	8.00250
1160T	495,000	1750	9.000	4.750	708	6.2	21.00	15.85	7.80	12.00	16.68	1.18 ♦	4.50	8.50250
1170T	660,000	1600	10.000	5.250	988	7.7	23.00	17.25	8.50	14.00	18.68	1.18 ♦	4.70	8.90250

★ Refer to Page 5 for General Information and Reference Notes.

♦ Dimension "H" is to the end of the bolt on Sizes 1150 thru 1170. Bolts are not shrouded.