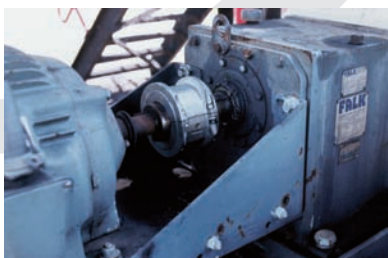
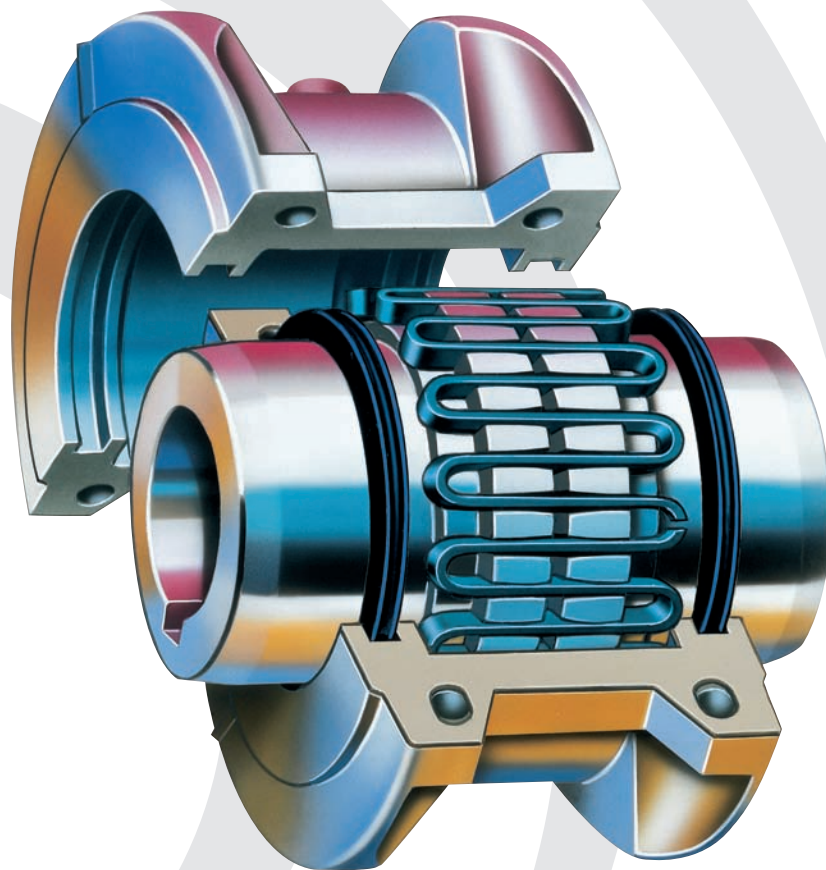
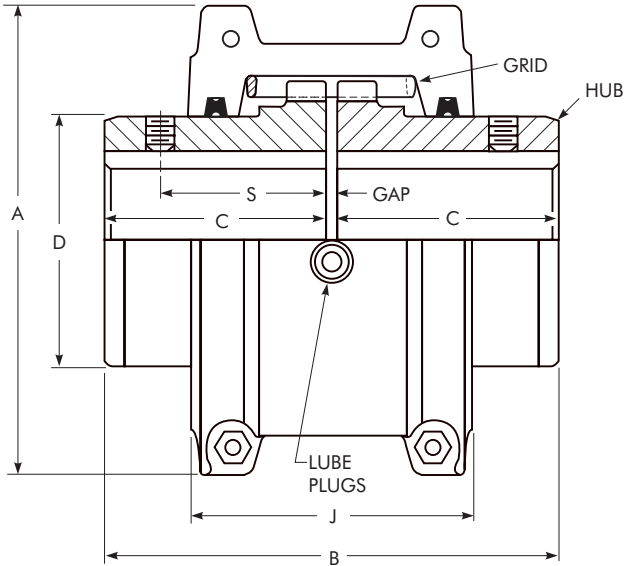


Falk™ Steelflex® Grid Couplings | Redefining Total Coupling Value
(English-Inch)

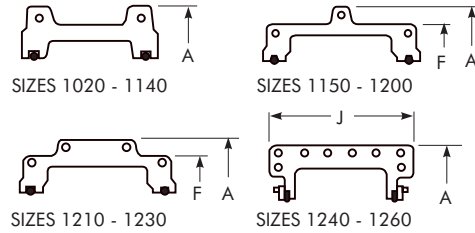


Type T10

Close Coupled/Dimensions — Inches



COVER PROFILES – HORIZONTAL SPLIT



Sizes 1020 thru 1230T10 covers are cast aluminum alloy; Sizes 1240 thru 1260T10 are fabricated steel.

Type HD size range is from 1070-1140 as shown in shared areas below. Covers are powder-coated and seals are Nitrile.

SIZE ★	Torque Rating (lb-in) †	Allow Speed rpm ‡	Max Bore ●	Min Bore ■	Cplg Wt With No Bore-lb	Lube Wt lb	DIMENSIONS — INCHES							
							A	B	C	D	F	J	S	Gap
1020T	460	4500	1.125	.500	4.2	.06	3.82	3.88	1.88	1.56	2.62	1.54	.125
1030T	1,320	4500	1.375	.500	5.7	.09	4.16	3.88	1.88	1.94	2.69	1.54	.125
1040T	2,200	4500	1.625	.500	7.4	.12	4.50	4.12	2.00	2.25	2.75	1.58	.125
1050T	3,850	4500	1.875	.500	12	.15	5.32	4.88	2.38	2.62	3.19	1.76	.125
1060T	6,050	4350	2.125	.750	16	.19	5.82	5.12	2.50	3.00	3.68	2.06	.125
1070T	8,800	4125	2.500	.750	23	.25	6.25	6.12	3.00	3.44	3.81	2.12	.125
1080T	18,150	3600	3.000	1.062	39	.38	7.50	7.12	3.50	4.12	4.55	2.54	.125
1090T	33,000	3600	3.500	1.062	56	.56	8.31	7.88	3.88	4.88	4.81	2.82	.125
1100T	55,550	2440	4.000	1.625	93	.94	9.88	9.69	4.75	5.59	6.12188
1110T	82,500	2250	4.500	1.625	120	1.12	10.62	10.19	5.00	6.31	6.36188
1120T	121,000	2025	5.000	2.375	179	1.62	12.12	12.00	5.88	7.06	7.54250
1130T	176,000	1800	6.000	2.625	266	2.0	13.62	13.00	6.38	8.56	7.68250
1140T	253,000	1650	7.250	2.625	392	2.5	15.12	14.75	7.25	10.00	7.92250
1150T	352,000	1500	8.000	4.250	500	4.3	17.84	14.65	7.20	10.60	15.40	10.69250
1160T	495,000	1350	9.000	4.750	681	6.2	19.76	15.85	7.80	12.00	17.20	10.96250
1170T	660,000	1225	10.000	5.250	987	7.7	22.32	17.25	8.50	14.00	19.18	12.10250
1180T	915,000	1100	11.000	6.000	1365	8.3	24.80	19.05	9.40	15.50	21.84	12.64250
1190T	1,210,000	1050	12.000	6.000	1710	9.7	26.60	20.65	10.20	17.20	23.93	12.80250
1200T	1,650,000	900	13.000	7.000	2331	12.4	29.80	22.25	11.00	19.60	26.00	14.00250
1210T	2,200,000	820	14.000	7.000	3140	23.2	33.25	24.50	12.00	21.00	29.56	17.00500
1220T	2,970,000	730	15.000	8.000	3935	35.4	36.25	26.10	12.80	22.50	32.37	19.30500
1230T	3,850,000	680	16.000	8.000	4997	53.0	39.50	27.70	13.60	24.00	35.62	21.50500
1240T	4,950,000	630	17.000	10.000	6504	74.5	42.80	29.50	14.50	25.50	25.50500
1250T	6,600,000	580	18.500	10.000	8450	110.5	46.50	32.10	15.80	28.00	27.50500
1260T	8,250,000	540	20.000	10.000	10322	148.1	49.64	34.50	17.00	30.00	30.00500

★ Refer to Page 5 for General Information and Reference Notes.